

## GAUGE HATCH Section 4.1

## SLOT DIPPING, SAMPLING AND GAUGE HATCH COVER

## KSGH TYPE GAUGE HATCH COVER



## ■ GENERAL DESCRIPTION ■

The Sampling and Gauging Hatch Cover of the Model KSGH type are designed, manufactured and tested according to the KSPC standard code.

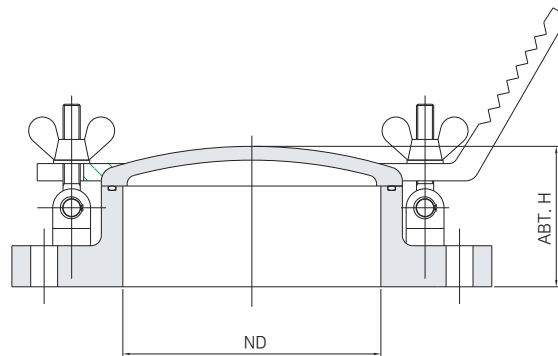
The Model KSGH is made to take the fluid samples from the storage tank, to measure the temperature, and to take test of the stored fluids.

The model KSGH is used under  $0.3\text{kg/cm}^2$  pressure of storage tank.

# GAUGE HATCH Section 4.1

## SLOT DIPPING, SAMPLING AND GAUGE HATCH COVER

### KSGH TYPE GAUGE HATCH COVER



Dimension Table

Unit = mm

SIZE	4"	6"	8"	10"	12"
N.D	100	150	200	250	300
ABT.H	78	83	91	91	91

Materials of Construction

ITEM NO.	COMPONENT	BODY	ALUMINIUM	C.S	304 S.S	316S.S
		TRIM	304 S.S	304 S.S	304S.S	316 S.S
1	BODY		ALUMINIUM	C.S	304 S.S	316 S.S
2	COVER		ALUMINIUM	C.S	304 S.S	316 S.S
3	PADDLE		ALUMINIUM	C.S	304 S.S	316 S.S
4	HINGE		304 S.S	304 S.S	304 S.S	304 S.S
5	GASKET		VITON			