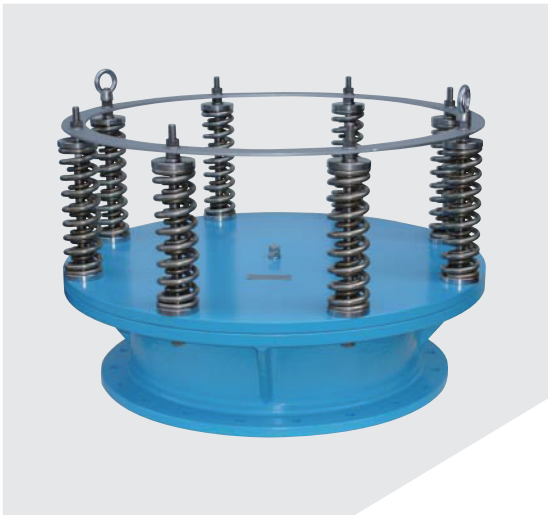


EMERGENCY VENT COVER Section 3.3

EMERGENCY HIGH PRESSURE RELIEF VENT COVER

KSES/KSESV TYPE EMERGENCY VENT COVER



According to API 2000 Code

The series KSES is designed to provide emergency pressure relief for storage tanks when exposed to overpressures that are not handled by standard tank vents.

These vents provide the capacity to meet API standard 2000 for emergency venting due to fire exposure when properly sized.

These covers also provide quick easy access for tank inspection and maintenance.

■ Vent Operation ■

The KSES emergency pressure relief vent provides pressure relief only. Vacuum relief must be supplied by normal venting devices, or use our KSESV emergency pressure and vacuum relief vent covers.

When excessive pressure builds within the storage tank the KSES series emergency pressure relief vent begin to open at a predetermined set pressure relieving excessive pressure.

When the overpressure has dissipated the cover reseal onto the base.

■ Construction ■

The series KSES is available in several materials that are corrosion resistant to most petroleum product applications.

See Standard material of construction table for available material.

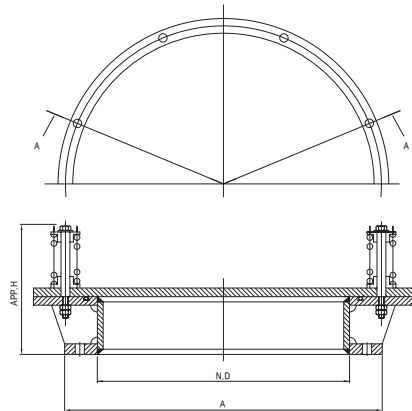
Predetermined setting range is from a minimum of 700mm W.C to a maximum of 7,000mmW.C

Sizes are 400, 450, 500 and 600mm with flange drilling according to ANSI 150lb or API650.

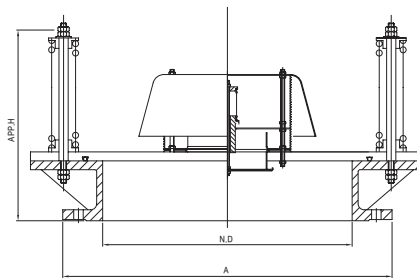
EMERGENCY VENT COVER Section 3.3

EMERGENCY HIGH PRESSURE RELIEF VENT COVER

KSES/KSESV TYPE EMERGENCY VENT COVER



KSES TYPE



KSESV TYPE

Dimension Table

Unit = mm

	16"	18"	20"	24"
DN	400	450	500	600
A	597	635	698	813
APP. H	570	570	570	570

* CERTIFIED DIMENSIONS AVAILABLE UPON REQUEST. (STD : API650)

Materials of Construction

ITEM NO.	COMPONENT	BODY	ALUMINUM	C.S	304 S.S	316 S.S
		TRIM	304 S.S	304 S.S	304 S.S	316 S.S
1	BODY		ALUMINUM	C.S	304 S.S	316 S.S
2	COVER		ALUMINUM	304 S.S	304 S.S	316 S.S
3	O-RINGIDE	VITON				
4	SPRING		304 S.S	304 S.S	304 S.S	304 S.S
5	SPRING NUT		304 S.S	304 S.S	304 S.S	304 S.S
6	SPRING SUPPORT		304 S.S	304 S.S	304 S.S	304 S.S
7	SPRING GUIDE		304 S.S	304 S.S	304 S.S	304 S.S