

**BREATHER VALVE** Section 1.5**PRESSURE RELIEF VALVE VENT TO ATMOSPHERE****KSPR/PS TYPE BREATHER VALVE**

The model KSPR and KSPS pressure vacuum valves are an advanced design for vent to atmosphere applications. Designed manufactured and tested according to the API 2000 code.

Utilize the latest technologies to provide protection against positive or vacuum over pressure and prevent air intake, evaporative losses of product and help to contain odorous and potentially explosive vapours.

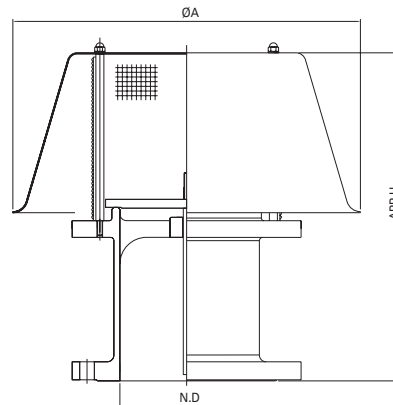
**■ Introduction ■**

The KSPR is a weighted pallet model, designed to handle over pressure with a minimum pressure of 20mmW.C and a maximum setting of 700mmW.C

The KSPS is a spring loaded model, designed to handle over pressure with a minimum pressure of 700mmW.C and a maximum setting of 7,000mmW.C.

Body materials are available in Aluminium, Carbon Steel, 304SS and 316SS with various trims to suit individual requirements.

Sizes range from 50mm through to 300mm with ANSI 150lb FF flanges as standard. (Different connections available on request).

**BREATHER VALVE** Section 1.5**PRESSURE RELIEF VALVE VENT TO ATMOSPHERE****KSPR/PS TYPE BREATHER VALVE****KSPR Weight Loaded Type**

For high pressure setting, **KSPS** Type Spring Loaded Valve are available on request.

**Dimension Table**

Unit = mm

SIZE	2"	3"	4"	6"	8"	10"	12"
N.D	50	80	100	150	200	250	300
ØA	252	330	350	440	500	580	620
APP.H	272	310	330	440	490	510	550

NOTES : Standard Connection : ANSI 150LB FF flange, JIS or different sizes available on request.

**Materials of Construction**

ITEM NO.	COMPONENT	BODY	ALUMINUM	C.S	304 S.S	316S.S
		TRIM	304 S.S	304 S.S	304S.S	316 S.S
1	BODY		ALUMINUM	C.S	304 S.S	316 S.S
2	SEAT		304 S.S	304 S.S	304 S.S	316 S.S
3	PRESSURE GUIDE POST		304 S.S	304 S.S	304 S.S	316 S.S
4	PRESSURE SCREEN		304 S.S	304 S.S	304 S.S	304 S.S
6	HOOD			EGI		304 S.S
7	CAP NUT		304 S.S	304 S.S	304 S.S	304S.S
9	PALLET ASSEMBLY		304 S.S	304 S.S	304 S.S	316 S.S
	DIAPHRAGM				TEFLON	
	PALLET WEIGHT				LEAD	
10	STEM		304 S.S	304 S.S	304 S.S	316 S.S

**TOPSAFE CO., LTD.**

ISO 9001 Registered

#368-3, Yangdong-ri, Juchon-myeon, Gimhae-si,  
Gyeongsangnam-do, 621-842, Korea  
Tel.+82-(0)55-338-9986 Fax.+82-(0)55-338-9987  
E-mail: topsafe@topsafe.co.kr www.topsafe.co.kr

Service station • Agent / Distributor